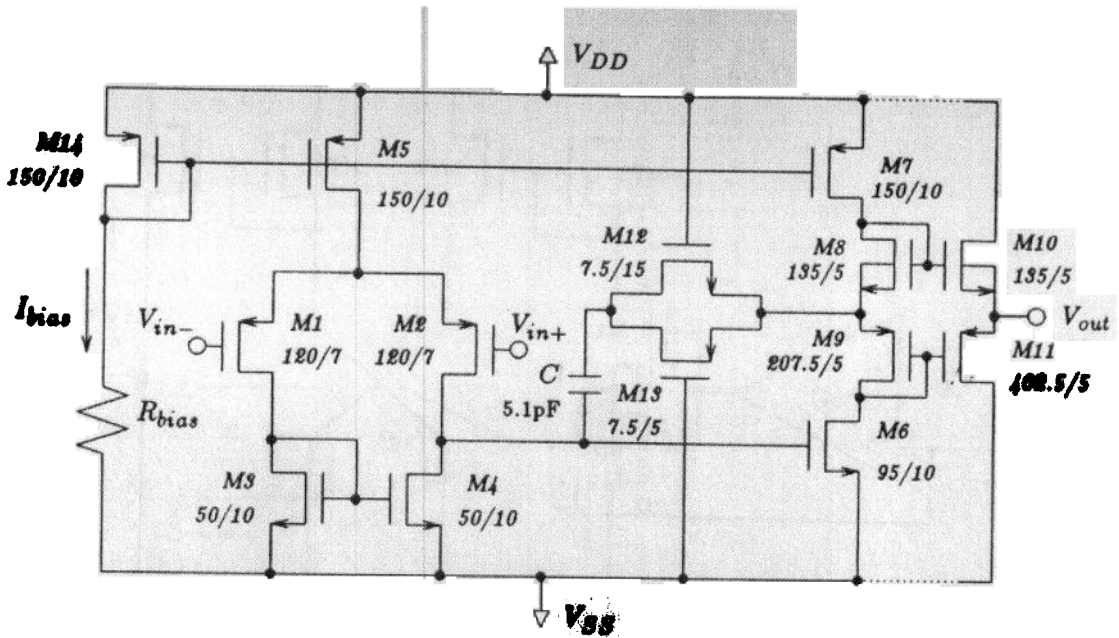


MOS operational amplifier (schematic)*



*Analog IC design: the current-mode approach, Edited by C. Toumazou, F.J. Lidgey & D.G. Haigh © April 1990: Peter Peregrinus Ltd., London, United Kingdom, ISBN 0 86341 215 7