

# “Control Theory” - Solution #1

E1.1, E1.2, P1.3, P1.8

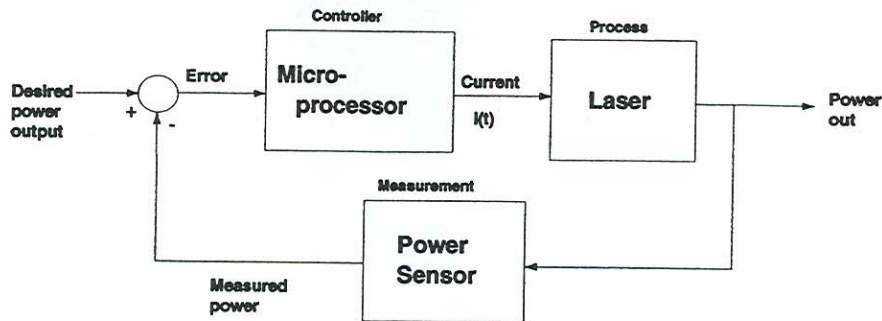
## CHAPTER 1

# Introduction to Control Systems

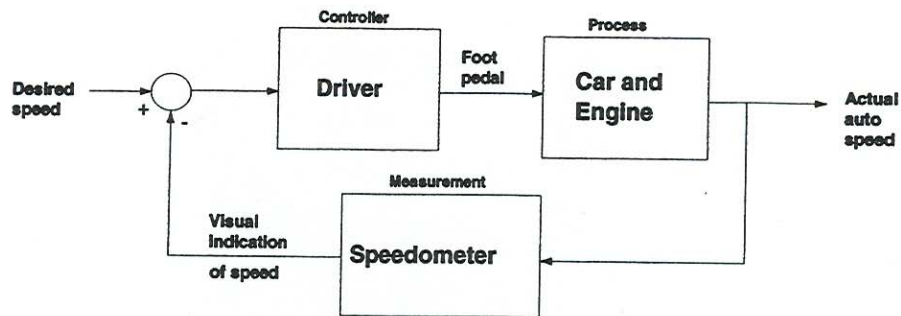
There are, in general, no unique solutions to the following exercises and problems. Other equally valid block diagrams may be submitted by the student.

### EXERCISES

E1.1 A microprocessor controlled laser system:

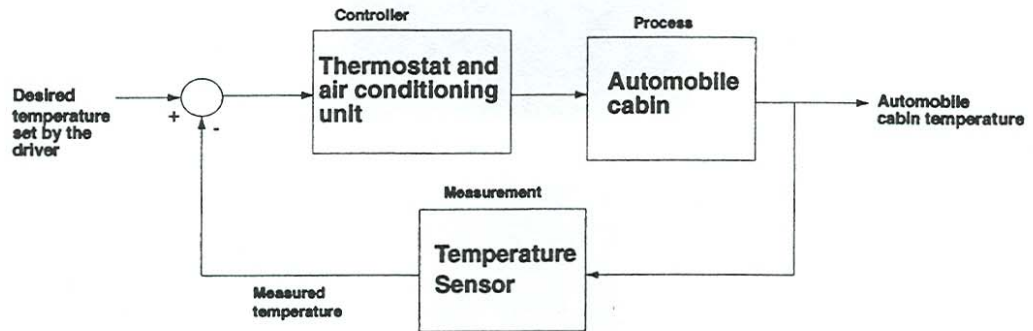


E1.2 A driver controlled cruise control system:

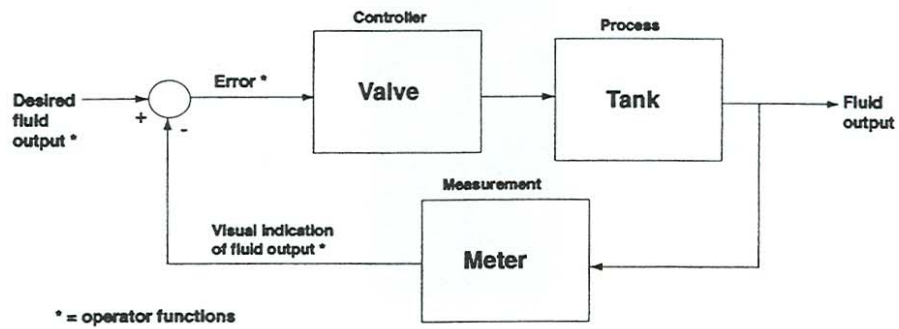


**P R O B L E M S**

**P1.1** An automobile interior cabin temperature control system block diagram:



**P1.2** A human operator controlled valve system:



**P1.3** A chemical composition control block diagram:

