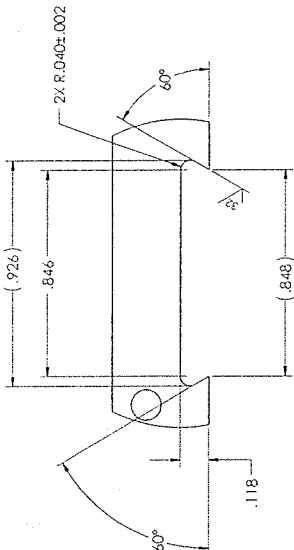
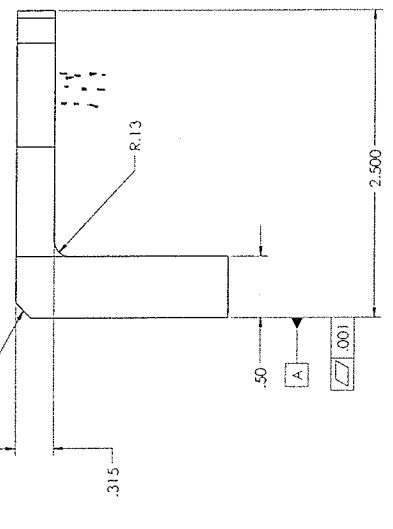
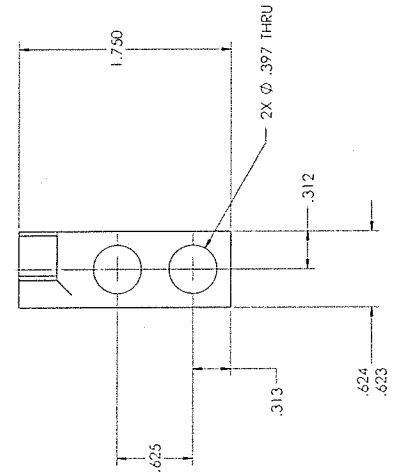
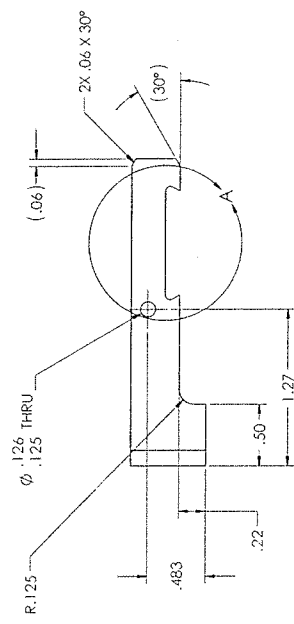
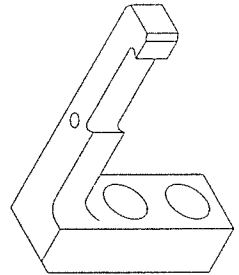


REV	DATE	DESCRIPTION



DETAIL A
SCALE 4:1



- NOTES:
1. BREAK ALL SHARP EDGES R0.02 MAX
 2. MAX CORNER RADIUS R0.01 UNLESS OTHERWISE NOTED.
 3. ALL DIAMETERS MUST BE CONCENTRIC WITHIN 0.005 UNLESS OTHERWISE NOTED.
 4. DEBURR ALL DRILLED AND TAPPED HOLES Ø 1/32 OVERSIZE.

 BARBOUR STOCKWELL INCORPORATED 55 SOUTH ROAD, WORRELL, MA 01801, USA.	SAMPLE HOLDER 1225-01
	1225-01 1225-01
DRAWN BY: [Blank] CHECKED BY: [Blank] DATE: 2.17.12	DIMENSIONS ARE IN INCHES UNLESS OTHERWISE SPECIFIED TOLERANCES: FRACTIONS DECIMALS .001 .001 .001 .002 .002 .002 .005 .005 .005 .010 .010 .010 .015 .015 .015 .020 .020 .020 .030 .030 .030 .040 .040 .040 .050 .050 .050 .060 .060 .060 .070 .070 .070 .080 .080 .080 .090 .090 .090 .100 .100 .100 .125 .125 .125 .150 .150 .150 .175 .175 .175 .200 .200 .200 .250 .250 .250 .300 .300 .300 .375 .375 .375 .400 .400 .400 .500 .500 .500 .625 .625 .625 .750 .750 .750 .875 .875 .875 1.000 1.000 1.000 1.125 1.125 1.125 1.250 1.250 1.250 1.375 1.375 1.375 1.500 1.500 1.500 1.750 1.750 1.750 2.000 2.000 2.000 2.250 2.250 2.250 2.500 2.500 2.500 3.000 3.000 3.000 3.500 3.500 3.500 4.000 4.000 4.000 4.500 4.500 4.500 5.000 5.000 5.000 5.500 5.500 5.500 6.000 6.000 6.000 6.500 6.500 6.500 7.000 7.000 7.000 7.500 7.500 7.500 8.000 8.000 8.000 8.500 8.500 8.500 9.000 9.000 9.000 9.500 9.500 9.500 10.000 10.000 10.000
APPROVALS: DESIGNER: [Blank] DRAWN: [Blank] CHECKED: [Blank] DATE: 2.17.12	MATERIAL: 303 STAINLESS STEEL FINISH: CONTOURED FINISH (11.452) (REQ. 35-43 PCS) QUANTITY: 1225 PMS