

- NOTES:
1. BREAK ALL SHARP EDGES R.02 MAX.
  2. MAX CORNER RADIUS R.01 UNLESS OTHERWISE NOTED.
  3. ALL DIAMETERS MUST BE CONCENTRIC WITHIN 0.005 UNLESS OTHERWISE NOTED.
  4. DEBURR ALL DRILLED AND TAPPED HOLES  $\phi$  1/32 OVERSIZE.

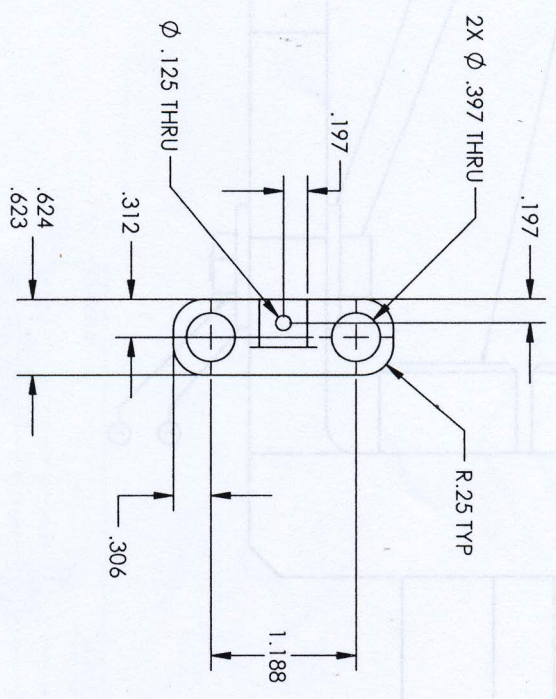
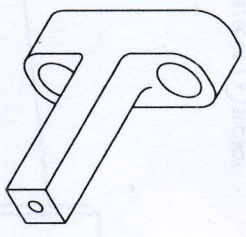
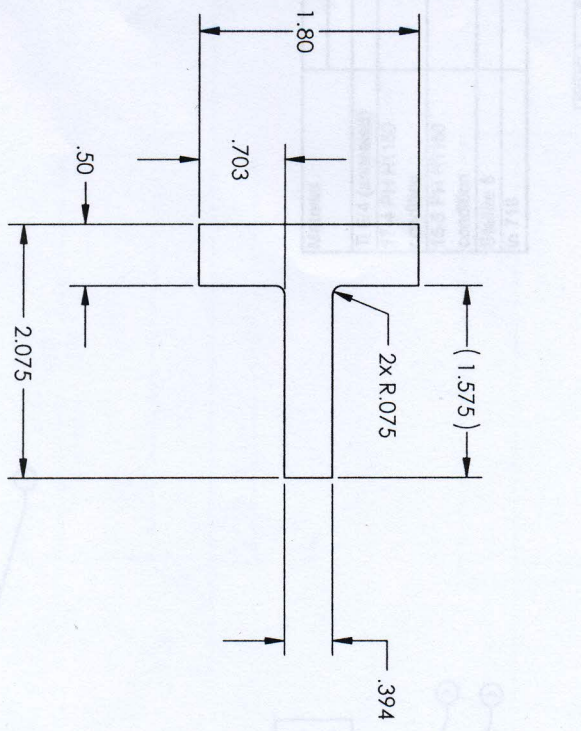
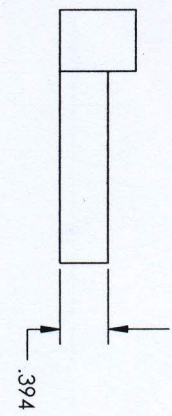
TIC-A14-V

THIRD ANGLE PROJECTION		APPROVALS		DATE		DIMENSIONS ARE IN INCHES	
		DESIGN	DATE	DRAWN	DATE	DO NOT SCALE THIS DRAWING	
		TEC. ENG.	08-11	TEC. ENG.	08-11	UNSPECIFIED TOL	
		MFG. ENG.	2/1/12	MFG. ENG.	2/1/12	X ± .005	
		MECH. ENG.		MECH. ENG.		.001 ± .003	
						ANGLES ± .02°	
MATERIAL: 15-5 PH		FINISH: 125 PMS		HEAT TREAT: CONDITION H1025 (1485) (FIELD: 35-42 RC)		FINISH: 125 PMS	
FINISH: 125 PMS		DATE: 12/29/01		DRAWN BY: 12295-01		CHECKED BY:	
DATE: 12/29/01		DRAWN BY: 12295-01		CHECKED BY:		DATE: 12/29/01	
DATE: 12/29/01		DRAWN BY: 12295-01		CHECKED BY:		DATE: 12/29/01	
DATE: 12/29/01		DRAWN BY: 12295-01		CHECKED BY:		DATE: 12/29/01	

**BSI BARBOUR STOCKWELL INCORPORATED**  
 55 SOUTH ROAD WOBURN, MA 01891 USA  
 SAMPLE HOLDER

REV	DATE	BY	CHKD	DESCRIPTION
01	08/29/11	12295-01		
02	02/01/12	12295-01		
03	02/01/12	12295-01		
04	02/01/12	12295-01		

THE INFORMATION CONTAINED IN THIS DRAWING IS THE SOLE PROPERTY OF BARBOUR STOCKWELL, INC. ANY REPRODUCTION IN PART OR WHOLE WITHOUT THE WRITTEN PERMISSION OF BARBOUR STOCKWELL, INC. IS PROHIBITED.



REVISIONS				
ZONE	REV.	DESCRIPTION	DATE	APPROVED
	A	ADDED MISSING 1/8" HOLE	11/17/201	TL
	B		2/17/2012	TL

- NOTES:**
- BREAK ALL SHARP EDGES R0.02 MAX.
  - MAX CORNER RADIUS 0.01 UNLESS OTHERWISE NOTED.
  - DEBURR ALL DRILLED AND TAPPED HOLES  $\phi$  1/32 OVERSIZE
  - ALL DIAMETERS TO BE CONCENTRIC WITHIN 0.005.

<b>THIRD ANGLE PROJECTION</b>	UNLESS OTHERWISE SPECIFIED DIMENSIONS ARE IN INCHES FRACTIONS DECIMALS ANGLES	CAD GENERATED DRAWING DO NOT MANUALLY UPDATE
	TOLERANCES ARE: XXXX ± .005 XXXXX ± .003	DATE: 8-9-11
<b>MATERIAL</b>	CUSTOMER SPECIFIC	DRAWN: TL
<b>FINISH</b>	125 RMS	CHECK: KM
<b>HARDNESS</b>	CUSTOMER SPECIFIC	MFG ENG: Product Eng.
		QUAL ENG: ---
		DATE: 2-17-12
<b>COUPON HIGH SPEED</b>		
REV: B	DWG NO: 12400-303	REV: B
1/1	12400-303 - Coupon High Speed	1



8 7 6 5 4 3 2 1