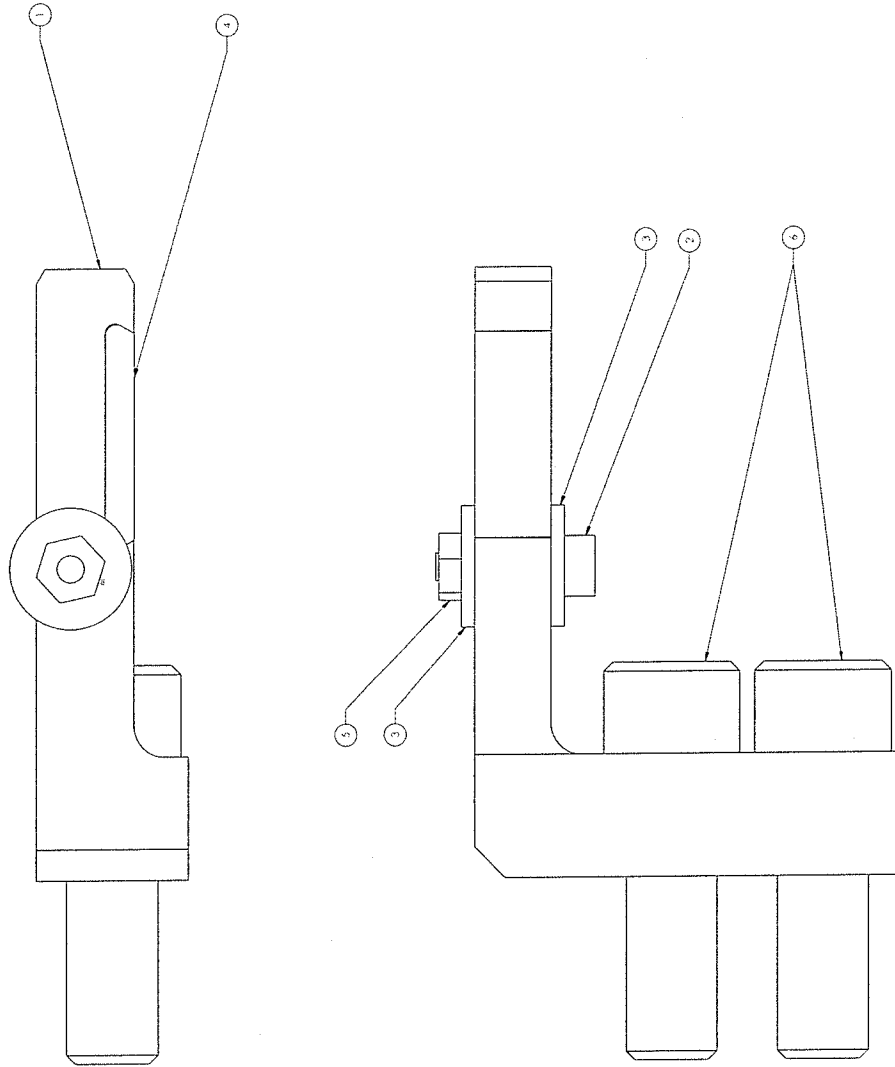


REVISIONS

NO.	DATE	DESCRIPTION
1		
2		
3		
4		
5		



TORQUE (6) TO 50 LBF*LBM
 USE BOLT WITH A MIN TENSILE STRENGTH
 OF 180 KSI

Material	RPM	Max Speed
Ti 6/4 (annealed)	14500	366
17-4 PH H1150 condition	14500	366
15-5 PH H1150 condition	14500	366
Stellite 6	14500	366
In 718	14500	366

ITEM NO.	PART NO.	DESCRIPTION	QTY.
1	12295-01	SAMPLE HOLDER	1
2	93983A319	SHOULDER SCREW STAINLESS STEEL	1
3	1295-03	WASHER	2
4	12295-02	FLAT SAMPLE	1
5	90257A605	HEX NUT STAINLESS	1
6	120-06-110	3/8-24 X 1 1/4 LG. SHCS	2

APPROVALS

DESIGN	DATE
TESTING	10/03/11
INSPECTION	
MANUFACTURING	
QUALITY CONTROL	

DESCRIPTION: DIMENSIONS ARE IN INCHES

INFORMATION: 1. 0.005 IN. TYP. 2. 0.005 IN. TYP. 3. 0.005 IN. TYP. 4. 0.005 IN. TYP. 5. 0.005 IN. TYP. 6. 0.005 IN. TYP.

MATERIAL: SEE BOM

HEAT TREAT: N/A

FINISH: N/A

DATE: 12/29/00

BY: [Signature]

12295-00 - Sample Holder Assembly

BARBOUR STOCKWELL INCORPORATED
 55 SOUTH ROAD WOBURN, MA 01801 USA

SAMPLE HOLDER ASSEMBLY

12295-00

Sheet 1 of 1